



FG (5-25)K-3PG1-EU

The three-phase grid-tied inverter, ranging from 3kw to 25kw, is for small-scale industrial and commercial use.

www.faradayess.com



High Efficiency

Low start-up voltage, wide voltage range, 98.60% maximum efficiency



Professional Service

Experienced expert team to provide 24/7 service



Easy Installation

Light weight and flexible configuration



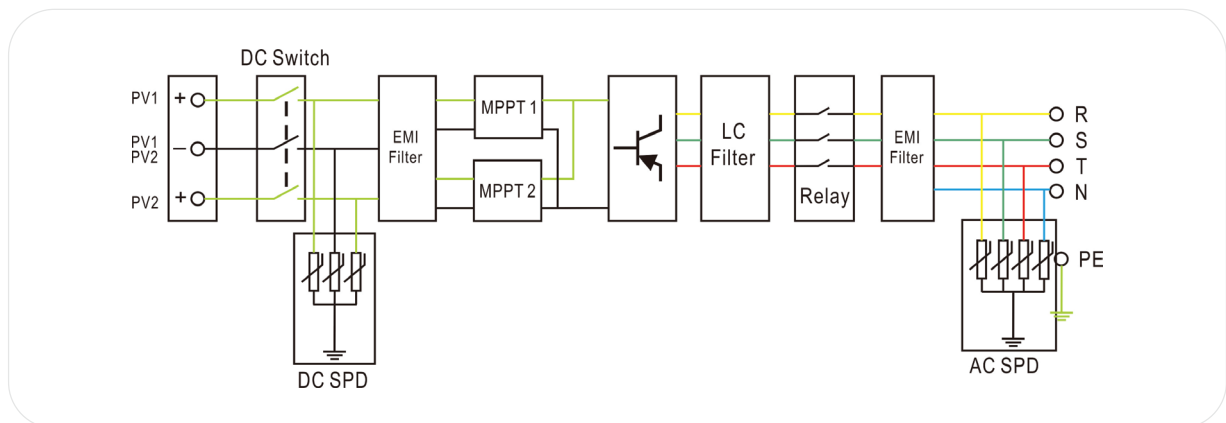
IP65 Rated

Engineered to test with maximum suitable for outdoor installation



Energy Management

Monitor your system remotely via smartphone app or web portal



MODEL	5KW	6KW	8KW	10KW	12KW	15KW	17KW	20KW	23KW	25KW
PV Input										
Max.Recommended DC Power (W)	7500	9000	12000	15000	18000	225000	255000	30000	34500	37500
Max.DC Voltage / Nominal DC Operating Voltage / MPPT Voltage Range / Start-up Voltage / No. of MPP Trackers	1100V / 640V / 140-950V / 180V / 2									
Max. input Current (input A/input B)	16A / 16A					32A / 32A				
Max. short Circuit Current (input A/input B)	20.8A/20.8A					41.6A/41.6A				
Strings Per MPP Tracker	1+1					2+2				
Max.Inverter Backfeed Current to the Array(mA)	0									
AC Output										
Norminal AC Power(W)	5000	6000	8000	10000	12000	150000	170000	20000	23000	25000
Max. apparent AC Power(VA)	5500	6600	8800	11000	13200	165000	187000	22000	25300	27500
Rated Grid Voltage (AC Voltage Range)	3/N/PE, 220/380, 230/400, 240/415									
Rated Grid Frequency	50/60Hz , ±5Hz									
Norminal AC Current(A)	7.2	8.7	11.6	14.5	17.4	217.4	246.4	29.0	33.3	36.2
Max. AC Current(A)	8.0	9.6	12.8	15.9	19.1	239.1	271.0	31.9	36.7	39.9
Maximum Output Fault Current(A)	58					93			145	
Maximum Output Overcurrent Protection(A)	16.9	20.3	27.1	33.8	40.6	50.7	57.5	67.6	77.8	84.5
Displacement Power Factor / Total Harmonic Distortion (THDi, @rated output)	1 (Adjustable from 0.8 leading to 0.8 lagging) / <3%									
Efficiency										
Max. MPPT efficiency / Euro-efficiency / Max. efficiency(@rated voltage)	99.8% / 97.8% / 98.6%									
Protection										
Protection	DC Reverse-polarity Protection / Anti-Islanding Protection / Insulation Monitoring / Residual Current Monitoring / AC Short Circuit Protection / AC Output over Current Protection / AC Output over Voltage Protection									
Surge Protection / Temperature Protection	YES; Type II (DC) and Type II (AC) / YES									
Integrated DC Switch / AFCI Protection	Optional									
String Level Monitor	N/A					Optional				
Standard										
Safety	IEC62109-1/2									
EMC	IEC 61000-6-1/IEC 61000-6-2/IEC 61000-6-3/IEC61000-6-4									
Cetification	VDE-AR-N 4105 /VDE 0124/ CEI-016 / CEI- 021 / EN50549-1/ NCRfG2016/631 / NBR16149 / IEC62116 /IEC61727 /IEC61683/IEC60068									
General Data										
Demensions(WxHxD) [mm]	480*410*194									
NET Weight (Kg)	18					21				
Cooling Concept	Natural					FAN				
Ingress Protection (according to IEC60529) / Topology / Max. Operating Altitude(m)	IP65 / Non-isolated / 3000m(full load)									
Noise emission(typical)[dB] @1m	<20dB					<30dB				
Operating Temperature Range[C] / Storage Temperature Range[C] / Humidity / Self Consumption(night) [W] / Communication / Display	-25..... +60°C (derating at +45°C) / -40 C ~60 C / 0~100% / < 1W / Meter, DRM, E-stop / LCD Screen, Touch Key, App, Web Site									
Monitoring Module (optional)	WIFI/4G/GPRS(Optional)									

